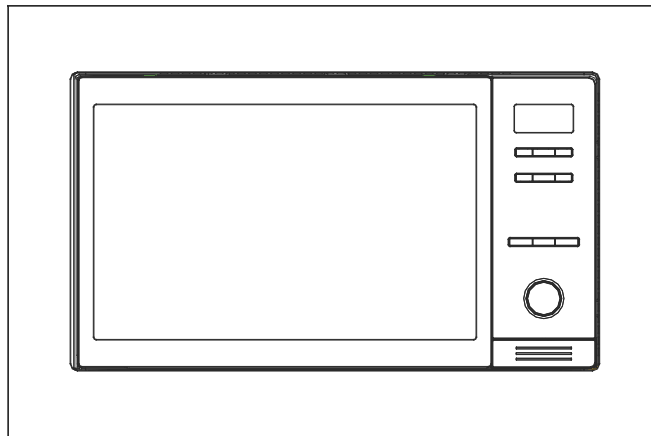




## Combo Microwave-Oven

Model CMO 800

# OWNER'S MANUAL



---

Please read the Manual carefully before operating the Appliance

# TABLE OF CONTENTS

1. Warranty and Service.....	3
2. Safety Instructions.....	4
3. Installation.....	13
4. Control panel .....	16
5. Operation instructions.....	17
6. Product Care.....	20
7. Specifications.....	21

## WARRANTY SERVICE

---

This warranty is given by:

**Arbreau Appliances**  
**10216 Georgibelle Drive, Suite 900D**  
**Houston, TX 77043-5249**

**For Service:**

Call 1-800-776-3538  
Email: [service@appliancedesk.com](mailto:service@appliancedesk.com)  
Web: [www.ApplianceDesk.com](http://www.ApplianceDesk.com)  
Business hours (9:00 a.m. to 5:00 p.m. weekdays).

## GENERAL

---

Since it is responsibility of the consumer-owner to establish the warranty period by verifying the original purchase date, the Arbreau Appliances recommends that a receipt, delivery slip or some other appropriate payment record be kept for that purpose. Remember to send to send in your Warranty Registration Card so that a proof of your purchase exists with the Arbreau Appliances. You can also register online by typing the following link **[www.ApplianceDesk.com](http://www.ApplianceDesk.com)**. This warranty gives you specific legal rights, and you may also have other rights which vary from State to State.

*All rights reserved. Manual subject to change without notice.*



**Intertek**

4007606

**Electrical Testing Laboratories**

**US N° 4007606 CANADA**

*The ETL Listed Mark is the legal equivalent to the UL and CSA Listed Marks*

*All rights reserved. Manual subject to change without notice.*

**IMPORTANT SAFETY INSTRUCTIONS**  
**READ CAREFULLY AND KEEP FOR FUTURE REFERENCE**

- **WARNING:** when the appliance is operated in the combination mode, children should only use the oven under adult supervision due to the temperatures generated;
- **WARNING:** if the door or door seals are damaged, the oven must not be operated until it has been repaired by a competent person;
- **WARNING:** it is hazardous for anyone other than a competent person to carry out any service or repair operation that involves the removal of a cover which gives protection against exposure to microwave energy;
- **WARNING:** liquids and other foods must not be heated in sealed containers since they are liable to explode
- only use utensils that are suitable for use in microwave ovens
- when heating food in plastic or paper containers, keep an eye on the oven due to the possibility of ignition;
- if smoke is observed, switch off or unplug the appliance and keep the door closed in order to stifle any flames;
- microwave heating of beverages can result in delayed eruptive boiling, therefore care must be taken when handling the container;
- the contents of feeding bottles and baby food jars shall be stirred or shaken and the temperature checked before consumption, in order to avoid burns;
- eggs in their shell and whole hard-boiled eggs should not be heated in microwave ovens since they may explode, even after microwave heating has ended;
- the oven should be cleaned regularly and any food deposits removed;
- failure to maintain the oven in a clean condition could lead to deterioration of the surface that could adversely affect the life of the appliance and possibly result in a hazardous situation;
- if the supply cord is damaged, it must be replaced by the manufacturer, its service agent or similarly qualified people in order to avoid a hazard.
- The temperature of accessible surfaces may be high when the appliance is operating.

# 1. GROUNDING INSTRUCTIONS

This appliance must be grounded. In the event of an electrical short circuit, grounding reduces the risk of electric shock by providing an escape wire for the electric current. This appliance is equipped with a cord having a grounding wire with a grounding plug. The plug must be plugged into an outlet that is properly installed and grounded.

## **WARNING!**

**Improper use of the grounding can result in a risk of electrical shock.**

**Consult a qualified electrician or serviceman if the grounding instructions are not completely understood, or if doubt exists as to whether the appliance is properly grounded, and do not use an extension cord. If the power supply cord is too short. Have a qualified electrician or servicemen install an outlet near the appliance.**

**The below safety precautions should be followed when using electrical appliances:-**

**WARNING!** To reduce the risk of burns, electric shock, fire, injury to person, or exposure to excessive microwave energy:

- Read all instructions before using the appliance.
- Read and follow the specific “Precautions to avoid possible exposure to excessive microwave energy” found on this manual.
- This appliance must be grounded, connect only to properly grounded outlet. See “Grounding Instructions” found on this manual.
- Install or locate this appliance only in accordance with the provided installation instructions.
- Some products such as whole eggs and sealed containers - for example closed glass jars are able to explode and should not be heated in this oven.
- Use this appliance only for its intended use as described in the manual. Do not use corrosive chemicals or vapors in this appliance. This type of oven is specifically designed to heat, cook, or dry food. It is not designed for industrial or laboratory use.
- As with any appliance, close supervision is necessary when used by children.
- Do not operate this appliance if it has a damaged cord or plug, if it is not working properly, or if it has been damaged or dropped.
- **This appliance should be serviced only by qualified service personnel. Contact nearest authorized service facility for examination, repair or adjustment.**
- Do not cover or block any openings on the appliances.
- Do not store this appliance outdoors, do not use this product near water - for example near a kitchen sink, in a wet basement, near a swimming pool, or similar locations.
- Do not immerse cord or plug in water.
- Keep cord away from heated surfaces.

- Do not let cord hang over edge of table or counter.
- When cleaning surfaces of door and oven that comes together on closing the door, use only mild, nonabrasive soaps, or detergents applied with a sponge or soft cloth.

## 2. TO REDUCE THE RISK OF FIRE IN THE OVEN CAVITY:

- Do not overcook food, Carefully attend appliance when paper, plastic, or other combustible materials are placed inside the oven to facilitate cooking.
- Remove wire twist-ties from paper or plastic bags before placing bag in the oven.
- If materials inside the oven ignite, keep oven door closed and turn oven off. Disconnect the power cord, or turn off power at the fuse or circuit breaker panel.
- Do not use the cavity for storage purpose. Do not leave paper products, cooking utensils, or food in the cavity when not in use.
- Liquids such as water, coffee or tea are able to be overheated beyond the boiling point without appearing to be boiling.
- Visible bubbling or boiling when the container is removed from the microwave oven is not always present. This could result in very hot liquids suddenly boiling over when the container is disturbed or a utensil into the liquid.



To avoid that type of situation when heating liquids, put a teaspoon or glass rod inside the container.

# SAVE THESE INSTRUCTIONS!

### 3. PRECAUTIONS TO AVOID POSSIBLE EXPOSURE TO EXCESSIVE MICROWAVE ENERGY.

- Do not attempt to operate this oven with the door open since open - door operation can result in harmful exposure to microwave energy. It is important not to defeat or tamper with the safety interlocks.
- Do not place any object between the oven front face and the door or allow soil or cleaner residue to accumulate on sealing surfaces.
- Do not operate the oven if it is damaged. It is particularly important that the oven door is closed properly and that there is no damage to the door (Bent), Hinges and Latches (broken or loose), door seals and sealing surfaces.
- The oven should not be adjusted or repaired by anyone except properly qualified service personnel.

#### **Pacemakers:**

Most pacemakers are shielded from interference from electronic products, including microwaves. However, patients with pacemakers may wish to consult their physicians if they have concerns.

Installation must be carried out by qualified staff in compliance with the relevant regulations. This appliance is intended for household use and complies with the EEC directives currently in force. The appliance is built to provide the following function: cooking and heating foods; all the manufacturer declines all liability for uses other than those stated above.

Keep the documentation of this product for future reference.

Always keep the instruction manual handy. If you lend the microwave to someone else then give them the manual as well!



This appliance is designed for cooking food and it shall not be used as a space heater.



Do not spray aerosols in the vicinity of this appliance while it is in operation.



Never leave packaging residues unattended in the home. Separate the various packaging materials by type and consign them to the nearest separate disposal center.



This appliance is tagged under European directive 2002/96/EC on waste electrical and electronic equipment (WEEE).

This directive contains the regulations governing the collection and recycling of decommissioned appliances throughout the European union.



Replaced appliances must be taken to a special garbage collection center.



Never obstruct the opening and slits provided for ventilation and heat dispersal.



The I.D. plate with technical data, registration number and brand name is positioned visibly on the oven door frame.

**The plate must not be removed.**



Never use metal scouring pads or sharp scrapers which will damage the surface.



Use ordinary non-abrasive products with the aid of wooden or plastic utensils if necessary, rinse thoroughly and dry with a soft cloth or chamois leather.

Do not allow spills of foods with high sugar content (Eg. Jam) to dry inside the oven, if they dry for too long, they might damage the enamel coating of the inside of the oven.

## 4. DISPOSAL INSTRUCTIONS - OUR ENVIRONMENT POLICY

Our products are only packaged using non-pollutant, environment-friendly, recyclable materials. We urge you to cooperate by disposing of the packaging properly. Contact your local dealer or the competent local organisations for the addresses of collection, recycling and disposal facilities.

Never leave all or part of the packaging lying around. Packaging parts, and especially plastic bags, may become a suffocation hazard for children.

Your old appliance must also be disposed of properly.

**Important:** deliver the appliance to your local organisation authorised to collect scrapped appliances. Proper disposal allows the intelligent recovery of valuable materials.

Before scrapping your appliance it is important to remove doors and leave shelves in position as for use, to ensure that children cannot accidentally become trapped inside the oven during play. Also, cut the power supply and remove it and the plug.



## 5. SAFETY PRECAUTIONS



Refer to the installation instructions for the safety regulations for electric or gas appliances and ventilation functions in your interest and to ensure your safety, by law all electric appliances must only be installed and serviced by qualified staff in accordance with relevant regulations. Our approved installation engineers guarantee you a job well done. Gas or electric appliances must always be disconnected by suitably skilled people.



The plug to be connected to the power supply lead and the relative socket must be of the same type and comply with the relevant regulations. The power supply socket must be accessible even after the appliances has been built-in. Never disconnect the plug by pulling on the power supply lead.



Immediately after installation, carry out a quick test on the oven following the instructions provided later in this manual. During the tests put a glass of water inside the oven as it will absorb the microwaves and the oven will not be damaged. If the appliance fails to operate, disconnect it from the electrical mains and contact your nearest service center. Never attempt to repair the appliance.



**WARNING !** Never leave the oven unwatched, especially when using paper, plastic or other combustible materials. These materials can char and may catch fire. FIRE RISK !

**WARNING !** If you see smoke or fire, keep the door closed in order to smother the flames. Switch off the oven and take the plug out of the socket or cut off the oven power supply.

**WARNING !** Do not heat pure alcohol or alcoholic drinks in the microwave. FIRE RISK !

**WARNING !** Do not heat liquids or other foods in closed containers since these may explode readily.

**WARNING !** Never put inflammable objects in the oven. They could catch fire accidentally.



This appliance is not intended for use by persons (including children) with reduced physical, sensory or mental capabilities or lack of experience and knowledge unless they have been given supervision or instruction concerning the use of the appliance by a person responsible for their safety. Children should be supervised to ensure that they do not play with the appliance.



**WARNING !** Accessible parts may become hot during use. Children should be kept away.

**WARNING !** The appliance becomes hot while using it. Care should be taken to avoid touching the heating elements inside the oven. Children should be kept away as it may cause burns or scalds.

**WARNING !** Oven cannot be used if:

- The door is not closed correctly
- The door hinges are damaged
- The surfaces of the contact between the door and oven front are damaged
- The door window glass is damaged
- There is frequent electrical arcing inside the oven even though there is not metal object inside

The oven can only be used again after it has been repaired by a certified service technician.

**BEWARE !** Never heat baby foods or drinks in bottles or jars with the teats or lids them. After heating the food mix or shake well so that the heat is spread evenly. Check the food temperature before feeding it to the child. Danger of burning.

To avoid food overheating or burning it is very important not to select long time periods or power levels that are too high when heating small quantities of food. For eg. A bread roll can burn after 3 minutes if the power selected is too high for toasting. Use just the grilling function and watch the oven all the time. If you use the combined function to toast bread, it will catch fire in a very short time.



This oven is exclusively for domestic use !

Use the oven only for preparing meals

Avoid damaging the oven or other dangerous situations by following these instructions,

- Do not switch on the oven **without** the turntable support, the turntable ring and the respective plate being in place.
- **Never switch on the microwave when it is empty** If there is no food inside there may be an electrical overcharge and the oven could be damaged. **RISK OF DAMAGE!**
- Do not cover or obstruct the **ventilation openings**.
- Use only **dishes suitable** for microwaves. Before using dishes and containers in the microwave, check that these are suitable (see the section on types of dishes).
- **Never remove the mica cover on the ceiling of the oven interior!** This cover stops fat and pieces of food damaging the microwave generator.
- Do not keep any **flammable object** inside the oven as it may burn if the oven is switched on.
- Do not use the oven as a **pantry**.
- **Eggs with their shells** and **whole boiled eggs** must not be heated in microwave ovens because they may explode.

- Do not use the oven for **frying** as it is impossible to control the temperature of oil heated by microwaves.
- **To avoid being burnt**, always use oven gloves for handling dishes and containers and touching the oven.
- **Do not lean or sit on the open oven door.** This may damage the oven, especially in the hinge zone. The door can bear a maximum weight of 16.6 lbs.
- The turntable and the grills can bear a **maximum load of 16.6.lbs**. To avoid damaging the oven, do not exceed this load.

#### CLEANING:

- **Warning!** Your microwave oven must be cleaned regularly. All food remains must be removed (see section on Oven Cleaning). If the microwave oven is not kept clean its surface may deteriorate and **this may shorten the oven's working life and could even result in a dangerous situation.**
- The door contact surfaces (the front of the cavity and the inside part of the doors) must be kept very clean in order to ensure the oven functions correctly.
- Do not use harsh abrasive cleaners or harsh metal scrapers to clean the oven door glass since they can scratch the surface which may result in the shattering of the glass.
- Please follow the instructions regarding cleaning in the section "Oven Cleaning and Maintenance".

#### REPAIRS:

- **Warning – Microwaves! The outer protection of the oven must not be removed.** It is dangerous for anyone not authorised by the manufacturer to carry out any kind of repair or maintenance work.
- If the power cable is damaged it should be substituted by the manufacturer, authorised agents or technicians qualified for this task in order to avoid dangerous situations. Furthermore, special tools are required for this task.
- Repair and maintenance work, especially of current carrying parts, can only be carried out by technicians authorised by the manufacturer.



The manufacturer declines all responsibility for injury or damage caused by failure to comply with the above regulations or deriving from tampering with even just one part of the appliance and the use of non-original spare parts.

Listed below are certain rules to follow and safeguards to assure top performance from this oven:

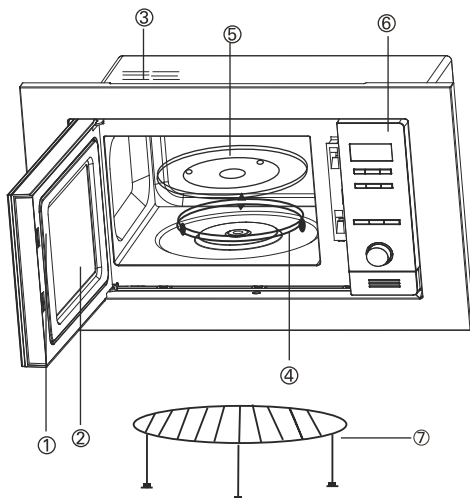
1. Always have the glass tray, roller arms, coupling and roller track in place when operating the oven.
2. Do not use the oven for any reason other than food preparation, such as for drying clothes, paper, or any other nonfood items, or for sterilizing purposes.
3. Do not operate the oven when empty. This could damage the oven.
4. Do not use the oven cavity for any type of storage, such as papers, cookbooks, etc.
5. Do not cook any food surrounded by a membrane, such as egg yolks, potatoes, chicken livers, etc without first being pierced several times with a fork.

6. **Do not** insert any object into the openings on the outer case.
7. **Do not** at any time remove parts from the oven such as the feet, coupling, screws, etc.
8. **Do not** cook food directly on the glass tray. Place food in/on proper cooking utensil before placing in the oven.
9. **IMPORTANT-COOKWARE NOT TO USE IN YOUR MICROWAVE OVEN**  
Do not use metal pans or dishes with metal handles.  
Do not use anything with metal trim.  
Do not use paper covered wire twist-ties on plastic bags.  
Do not use melamine dishes as they contain a material which will absorb microwave energy. This may cause the dishes to crack or char and will slow down the cooking speed.  
Do not use Centura Tableware. The glaze is not suitable for microwave use. Corelle Livingware closed handle cups should not be used.  
Do not cook in a container with a restricted opening, such as a pop bottle or salad oil bottle, as they may explode if heated in a microwave oven.  
Do not use conventional meat or candy thermometers. There are the thermometers available specifically for microwave cooking. These may be used.
10. Microwave utensils should be used only in accordance with manufacturer's instructions.
11. Do not attempt to deep-fry foods in this oven.
12. Please remember that a microwave oven only heats the liquid in a container rather than the container itself. Therefore, even though the lid of a container is not hot to the touch when

removed from the oven, please remember that the food/liquid inside will be releasing the same amount of steam when the lid is removed as in conventional cooking.

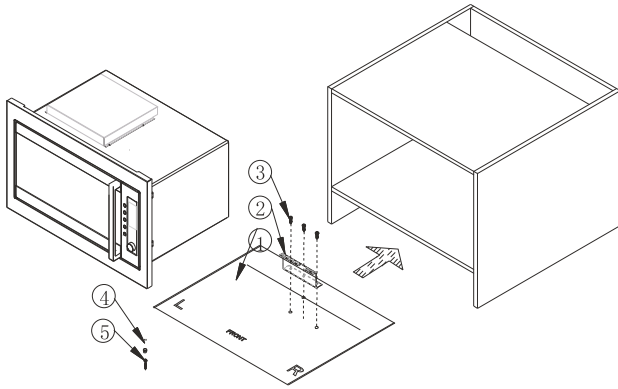
13. Always test the temperature of cooked food yourself especially if you are heating or cooking food/liquid for babies. It is advisable never to consume food/liquid straight from the oven but allow it to stand for a few minutes and stir food/liquid to distribute heat evenly.
14. Food containing a mixture of fat and water, e.g. stock, should stand for 30-60 seconds in the oven after it has been turned off. This is to allow the mixture to settle and to prevent bubbling when a spoon is placed in the food/liquid or a stock cube is added.
15. When preparing/cooking food/liquid and remember that there are certain foods, e.g. Christmas puddings, jam and mincemeat, which heat up very quickly. When heating or cooking foods with a high fat or sugar content do not use plastic containers.
16. Cooking utensil may become hot because of heat transferred from the heated food. This is especially true if plastic wrap has been covering the top and handles of the utensil. Potholders may be needed to handle the utensil.
17. To reduce the risk of fire in the oven cavity:
  - (a) Do not overcook food. Carefully attend microwave oven if paper, plastic, or other combustible materials are placed inside the oven to facilitate cooking.
  - (b) Remove wire twist-ties from bags before placing bag in oven.
  - (c) If materials inside the oven should ignite, keep oven door closed, turn the oven off at the wall switch, or shut off power at the fuse or circuit breaker panel.

FEATURE DIAGRAM

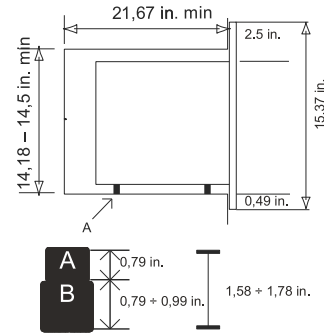
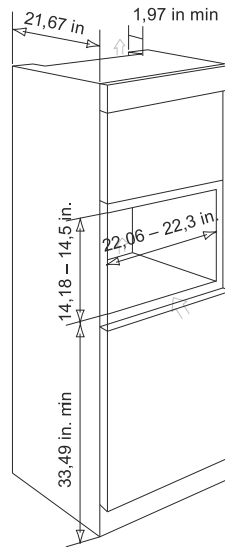


- (1) Door Safety Lock System
- (2) Oven Window
- (3) Oven Air Vent
- (4) Roller Ring
- (5) Glass Tray
- (6) Control Panel
- (7) Grill rack

# INSTALLATION



- 1 Setting paper 1PCS  
Reference sheet for positioning the oven and template in the unit
- 2 Orientation 1PCS  
Metal bracket for rear blocking of the oven
- 3 Screws Ø4X10 3PCS  
Screws for fixing the template
- 4 Screw cover 1PCS  
Cover for hiding the front screw location
- 5 Screw Ø4X35 1PCS  
Screw for fixing the front of the oven
- B Feet 4PCS  
Feet to be fitted under those of the oven to adjust its height (see instructions at top right)

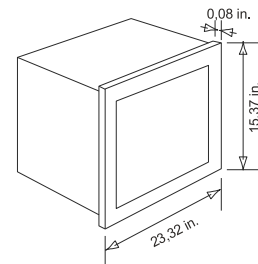


The feet are adjustable at various heights ranging from 0,08 to 0,18 in. Part B of the foot in the drawing above is contained in the bag of accessories supplied with the microwave. The drawing refers to a foot height of 0,18 in.

## TRIM KIT SPECIFICATIONS

Cavity dimensions  
 Width 22,06 – 22,30 in.  
 Height 14,18 – 14,50 in.  
 Depth 21,67 in.

FRAME dimensions  
 Width 23,32 in.  
 Height 15,37 in.  
 Depth 0,08 in.



## **INSTALLATION**

1. Make sure all the packing materials are removed from the inside of the door.
2. Inspect the oven after unpacking for any visual damage such as:
  - Misaligned Door
  - Damaged Door
  - Dents or Holes in Door Window and Screen
  - Dents in CavityIf any of the above are visible, DO NOT use the oven.

## **PRE-INSTALLATION**

3. This Microwave Oven weighs 31.63 lbs and must be placed on a horizontal surface strong enough to support this weight.
4. The oven must be placed away from high temperature and steam.
5. DO NOT place anything on top of the oven.
6. DO NOT remove the turn - table drive shaft.
7. As with any appliance, close supervision is necessary when used by children.

### **WARNING-THIS APPLIANCE MUST BE PROPERLY GROUNDED**

1. The plug socket should be within easy reach of the power cord
2. This oven requires 1.5 KVA for its input. Consultation with service engineer is suggested when installing the oven.

**CAUTION:** This oven is protected internally by ac 250V, 8 Amp Fuse.

## **IMPORTANT**

The wires in this mains lead are coloured in accordance with the following code:

Green-and-yellow	: Ground
Blue	: Neutral
Brown	: Positive

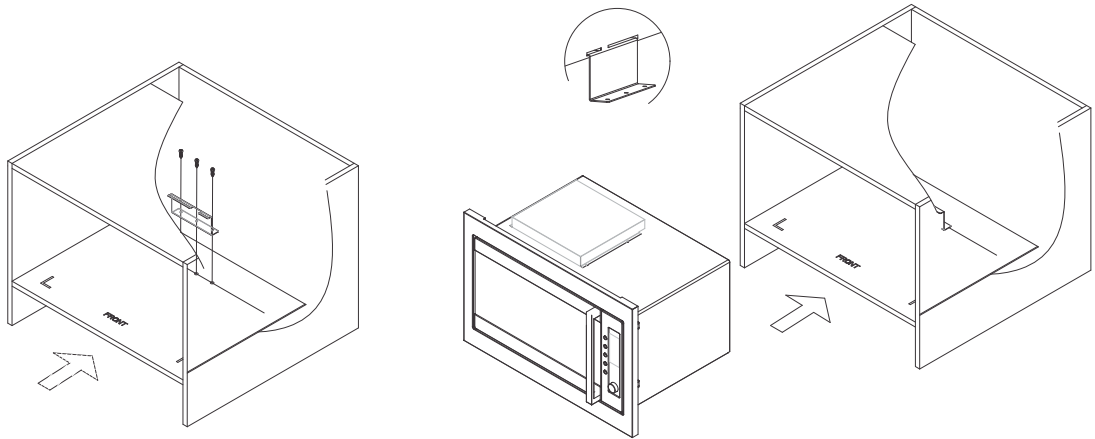
As the colours of the wires in the mains leads of the appliance may not correspond with the coloured markings identifying the terminals in your plug, proceed as follows:

The green-and-yellow wire must be connected to the terminal in the plug which is marked with the letter E or by the earth symbol

The blue wire must be connected to the terminal which is marked with the letter N or coloured black.

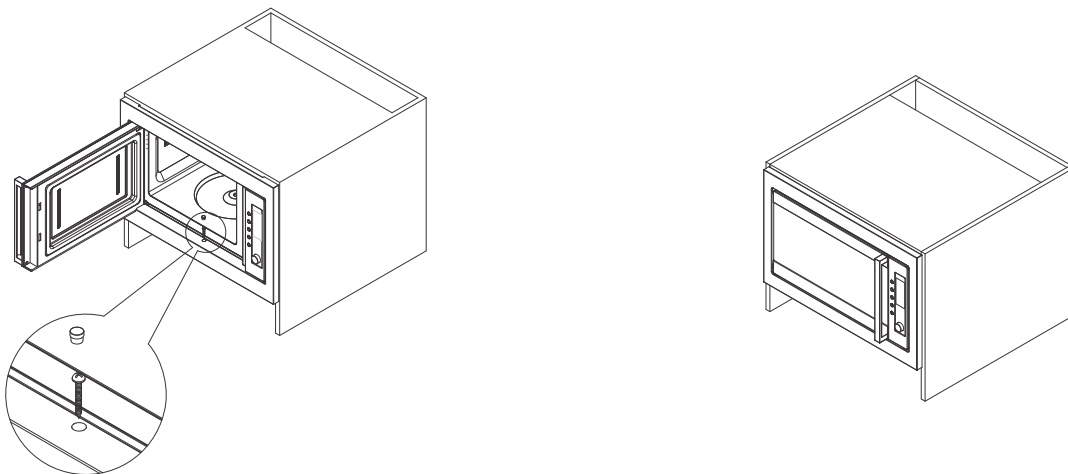
The brown wire must be connected to the terminal which is marked with the letter L or coloured red.

# FRAME INSTALLATION STEPS



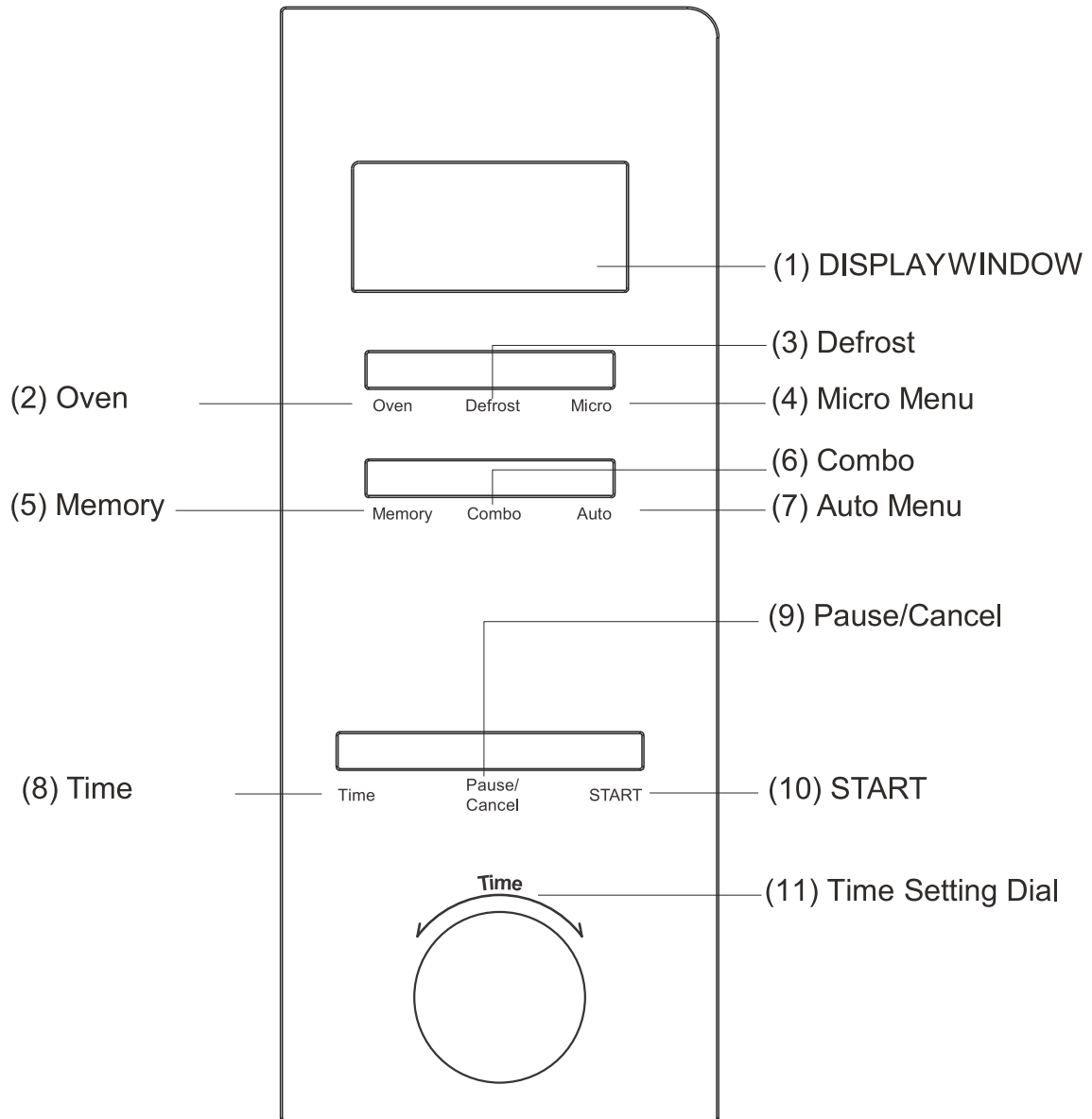
1. Cabinet must be finished as per cabinet dimensions. Put the plastic buckle setting paper (Component 1) on the bottom board of cabinet cavity. Keep the paper's front edge and the cabinet's outside edge in one line. Then put the orientation (Component 2) on the paper and adjust their holes as per the hole position in the drawing. Then fix the bolt (Component 3).

2. Put the microwave oven into the cabinet and keep the microwave oven in a horizontal direction and keep the edge distance of two sides the same. Then fix the orientation on the back of microwave oven.



3. Open the microwave oven, fix the bolt (Component 5) and beat it into the cabinet, then install screw cover (Component 4)

# CONTROL PANEL





# Operation Instructions

## 1. Single Button Heating

With a single press of a button, you can start simple cooking. It is very convenient and quick to heat a glass of water etc.

Example: To heat a glass of water

- a) Put a glass of water onto the glass turntable and close the door.
- b) Press the button "Start", the microwave oven will work on P100 power for 1 minute.
- c) You will hear 5 beeps when cooking is complete.

## 2. Microwave Heating

This function has two options.

- 1) Quick microwave heating P100 power)

Example: to heat food on P100 power for 5 minutes

- a) Rotate the knob "Time setting " to until "5:00" displayed.
- b) Press "Start".

- 2) Manual-operation microwave heating

Example: To heat food on P70 power for 10 minutes

- a) Press "Micro" button, select "P70" power;
- b) Rotate the knob "Time setting " to until "10:00" displayed.
- c) Press "Start".

The longest microwave heating time is 60 minutes;

Microwave power have 5 settings, and it's P100、 P70、 P50、 P30 and P10 from high to low power.

## 3. Auto weight defrost

Select the food type and weight, it will automatically help you to adjust the power level and time.

Example: defrost 1.1 lbs frozen meat.

- a) Press the button "Defrost" , "dEF" will be displayed .
- b) Rotate the knob "Time setting" to set the weight 1.1 lbs
- c) Press "Start"

The weight of food must be less than 4.4 lbs.

## 4. Auto-menu

You only need to select the food type and weight, it will help you to automatically adjust the power and time.

Example: Auto cooking 0.8 lbs meat

- a) Press "Auto menu", button to choose A-3.
- b) Rotate the knob "Time setting" to set weight 0.8 lbs
- c) Press "Start".

Weight Touching Times	Menu	A-1	A-2	A-3	A-4	A-5	A-6
		Rice	Vegetable	Meat	Noodle	Fish	Reheat
1		100	100	200	1	100	100
2		200	200	300	2	200	200
3		300	300	400		300	300
4		400	400	500		400	400
5		500	500	600		500	500
6			600	800		600	600
7				1000		700	
8						800	
9						900	
10						1000	

Remark: Noodles are marked by lot, Each lot is around 0.2-0.3 lbs.

#### 5. Memory cooking function:

This function can memorize grill, defrost, micro, combi, automenu to avoid resetting time and power operation.

a) If no memory has been set press "memory" "1" will be displayed, input cooking power and time, press "memory" again, the set program will be memorized. If you press "Start" instead of "memory" button, the oven will start working, and the program also will be memorized.

b) If there is any previously set memory, when you press "memory" button, "1" will be displayed, the oven will operate according to the memorized program after you press "Start" button.

The programme will not be kept when the electricity is off.

#### 6. Grill

This function has two patterns, you may press "Grill" to select such functions: (the longest cooking time is 60 minutes).

Grill power has 2 settings and it's G-1 and G-2 from high to low power.

Example: Cooking food with G-1 for 20 minutes

A) Press "Grill" until the LED displays "G-1".

B) Set cooking time "20:00"

C) Press "Start"

When grilling, the food isn't heated by microwave. Heat is radiated from the metal element at the top of the oven. When grill is in use, the cooking time has 2 stages. After the 1st half of the cooking, the program will automatically pause and sound 2 beeps indicating you to open the oven and turn food over. Close the door after turning the food over, press "Start" button, the cooking will continue for the 2nd half. If you do not want to turn the food over, the oven will re-start after 1 min pause.

## 7. Combination Cooking

This appliance offers you a choice of two methods of combination cooking.

Combo power has 2 settings, taking the reference of microwave power. It is C-1 and C-2 from high to low power.

Example : Cooking food using C-2 for 30 minutes.

- a) Press "Combo" button to select "C-2"
- b) Set cooking time for 30 minutes
- c) Press "Start "

## 8 Clock

The oven can be used as a clock.

Example: to input current time 16:30.

- A) Press "Clock/Time", the clock symbol will flash in display. Rotate the "Time setting" knob to set "16:00"
- B) Press "Clock/Time" again, rotate the "Time setting" knob to set "16:30"
- C) Press "Clock/Time" again, the clock setting is finished, the time start to go on working.

## 9 . Timer

The timer function helps the microwave oven begin automatic cooking at set time, and automatically stop operation after finishing cooking. (You should set the clock before using timer function).

Example: the current time of microwave oven is 16:30, to set cooking at 18:15 on P70 power for 10 minutes.

- A) Press "Clock/Time" and set time to 18:15 (same procedure as setting clock).
- B) Press "Micro" to set P70 power.
- C) Input cooking time 10 minutes by rotating the knob "Time Setting".
- D) Press "Start" .

If you don't set power and cooking time (omit B and C steps), and directly press "Start" button, the microwave oven will work only as a clock, there will be 10 beeps at 18:15, but no other function will run.

## 10. Child-safety lock

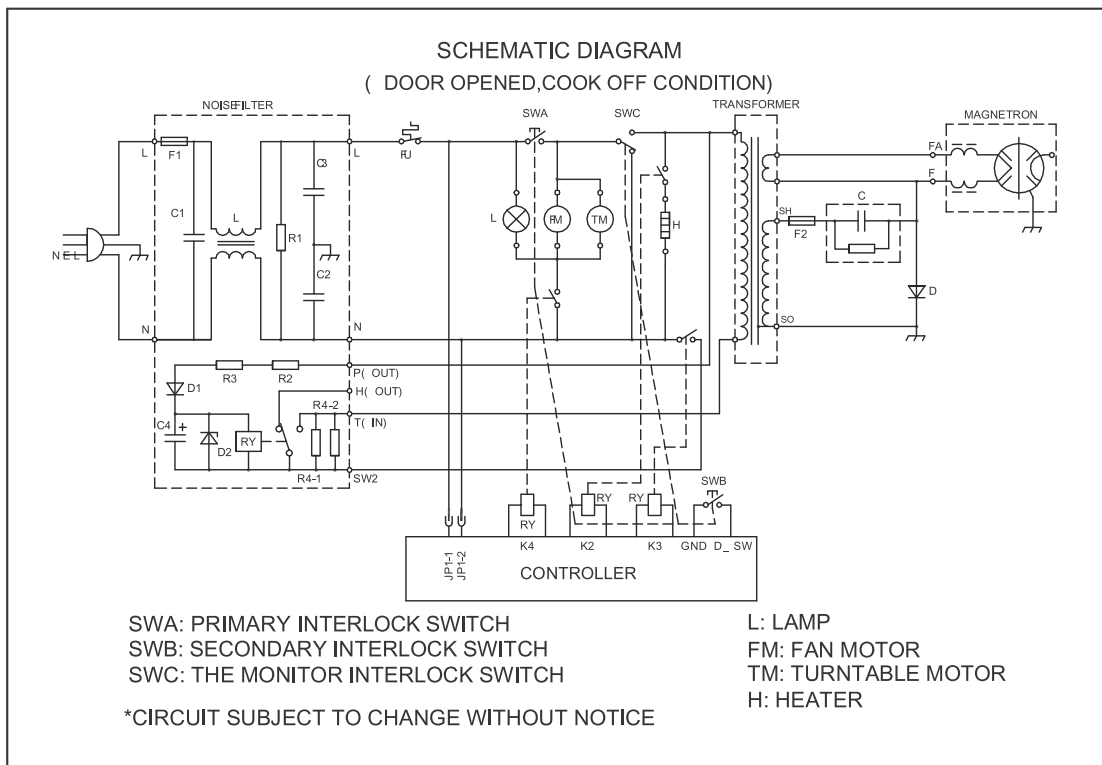
Under standby situation, To activate the child safety lock, press "Auto menu" and "Combi " at the same time for 2 seconds. Press "Auto menu" and "Combi" at the same time for 2 seconds again, it will unlock the machine.

## 11. Pause/cancel

- a) In the course of operation, pressing "Pause/Cancel" button will stop operation.
- b) If any program was set before pressing start, pressing this button will cancel all the set program.

## CARE OF YOUR MICROWAVE OVEN

1. Turn the oven off and remove the power plug from the wall socket before cleaning.
2. Keep the inside of the oven clean. When food splatters or spilled liquids adhere to oven walls, wipe with a damp cloth. The use of harsh detergent or abrasives is not recommended.
3. The outside oven surface should be cleaned with a damp cloth. To prevent damage to the operating parts inside the oven, water should not be allowed to seep into the ventilation openings.
4. Do not allow the Control Panel to become wet. Clean with a soft, damp cloth, Do not use detergents, abrasives or spray-on cleaners on the control Panel.
5. If steam accumulates inside or around the outside of the oven door, wipe with a soft cloth. This may occur when the microwave oven is operated under high humidity conditions and in no way indicates malfunction of the unit.
6. It is occasionally necessary to remove the glass tray for cleaning. Wash the tray in warm sudsy water or in a dishwasher.
7. The roller ring and oven cavity floor should be cleaned regularly to avoid excessive noise. Simply wipe the bottom surface of the oven with mild detergent, water or window cleaner and dry. The roller ring may be washed in mild sudsy water or dish washer. Cooking vapor collects during repeated use but in no way affects the bottom surface or roller ring wheels.  
When removing the roller ring from cavity floor for cleaning, be sure to replace it in the proper position.
8. Remove odors from your oven by combining a cup of water with the juice and skin of one lemon in a deep microwaveable bowl. Microwave for 5 minutes, wipe thoroughly and dry with a soft cloth.
9. When it becomes necessary to replace the oven light, please consult a dealer to have it replaced.



# SPECIFICATIONS

Power consumption:	120V~60Hz, 1280W
Output:	800W
Oven heater:	900W
Operating Frequency:	2,450MHz
Outside Dimensions (HxWxD inches):	15.35 X 23.3 X 14.17
Oven Cavity Dimensions (HxWxD inches):	12.72 X 8.27 X 12.99
Oven Capacity:	0.8 cu.ft
Net Weight:	Approx. 31.63 lbs

## BEFORE YOU CALL FOR SERVICE

1. If the oven will not perform at all, the display does not appear or the display disappears:
  - a) Check to ensure that the oven is plugged in securely. If it is not, remove the plug from the outlet, wait 10 seconds before plugging it again securely.
  - b) Check the premises for a blown circuit fuse or a tripped main circuit breaker. If these seem to be operating properly, test the outlet with another appliance.
2. If the microwave power does not function:
  - a) Check to see whether the timer is set.
  - b) Check to make sure that the door is securely closed to engage the safety interlocks switch, otherwise the microwave will not operate.

IF NONE OF THE ABOVE RECTIFIES THE SITUATION, THEN CONTACT THE AUTHORIZED SERVICE AGENT.

## Note:

The appliance is for household use meant to heat food and beverages using electromagnetic energy and intended for indoor use only.

## RADIO INTERFERENCE

Microwave oven may cause interference to your radio, TV, or similar equipment. When interference occurs, it may be eliminated or reduced by the following procedures.

- a. Clean the door and sealing surface of the oven.
- b. Place the radio, TV, etc. as far away from your microwave oven as possible.
- c. Use a properly installed antenna for your radio, TV, etc. to get a strong signal reception.